

Guideline for Data Projector Indications

Revised in May, 2017

Japan Business Machine and Information System Industries Association

Projector Terminology Working Group

Data Projector Group

A List of Members of Data Projector Group

(Omitted titles from names)

Chief of the Group	Satoshi HIRASHIMA	SEIKO EPSON CORPORATION
Sub-chief of the Group	Mikiyasu WAKAI	Sony Corporation
Sub-chief of the Group	Minoru KATO	Hitachi Maxell, Ltd.
Member	Shuichi TOKUMARU	Canon Inc.
Member	Kazuyasu FUKANO	CASIO COMPUTER CO.,LTD.
Member	Akinori KANEKO	Micro Solutions
Member	Toru WATANABE	NEC Display Solutions, Ltd.
Member	Mitsuhiro WADA	Panasonic Corporation
Member	Yoshishige TANAKA	Ricoh Company, Ltd.
Member	Yoshio SASANUMA	Sharp Corporation
Secretariat	Masashi SHINOHARA	Japan Business Machine and Information System Industries Association

A List of Members of Projector Terminology Working Group

(Omitted titles from names)

Chief of the Group	Takashi NATORI	SEIKO EPSON CORPORATION
Sub-chief of the Group	Mamoru NOMOTO	Panasonic Corporation
Member	Tatsumi YAMAGUCHI	Canon Inc.
Member	Futoshi SATO	CASIO COMPUTER CO.,LTD.
Member	Shunsuke HARA	CASIO COMPUTER CO.,LTD.
Member	Toshihiko ENDO	Hitachi Maxell, Ltd.
Member	Fumihiko YAMAMOTO	NEC Display Solutions, Ltd.
Member	Kenichi IWAMA	Ricoh Company, Ltd.
Member	Ryosuke MANABE	Sharp Corporation
Member	Akihiro UDA	Sony Corporation
Secretariat	Masashi SHINOHARA	Japan Business Machine and Information System Industries Association

Established: August, 2007

Revised: May, 2017

Draft by: Projector Terminology Working Group, Data Projector Group

Established by: Data Projector Group

Please contact the Data Projector Group if you have any questions or opinions on this guideline.

LILA HIJIRIZAKA 7F, 3-4-10 Mita Minato-ku Tokyo 108-0073 JAPAN

Tel: +81-3-6809-5010 (Main phone number)

Revised History of the Guideline for Data Projector Indications

	Established date / Revised date	Contents
First Edition	August, 2007	<ul style="list-style-type: none"> • Thirty-four indications (English) regarding operation buttons, input/output terminals, and indicators were included and set as the guideline.
Second Edition	February, 2010	<ul style="list-style-type: none"> • Indications in Japanese were added in addition to those in English. • Eight indications regarding indicators and functions were added.
Third Edition	November, 2011	<ul style="list-style-type: none"> • Twenty-eight indications regarding parts of the main unit, accessories, input/output terminals, and indicators in user's manual were added. • Function names were divided according to functional categories.
Fourth Edition	July, 2014	<ul style="list-style-type: none"> • Twenty-one indications regarding functions displayed on parts of the main unit, operation buttons, and menus in user's manual were added.
Fifth Edition	May, 2017	<ul style="list-style-type: none"> • Indication formats in the guideline were revised. • Four indications regarding parts of the main unit, input/output terminals, and functions in user's manual were added.

Table of Contents

Introduction	1
1 Scope	1
2 Trademarks	1
3 Indications	1
3.1 Ruled indications	1
3.2 Unruled indications	2
3.3 Alternative indications using icons	2
3.4 Indication methods of letters (letter sizes, symbols, abbreviations, complements, Variation of notation).....	2
3.5 Grouped indication method	2
3.6 Illustrations used in this guideline	2
4 Indication Method.....	3
4.1 Parts of the main unit and accessories in user's manual.....	3
4.2 Accessories in user's manual.....	6
4.3 Operation buttons on the main unit and remote control.....	7
4.4 Signal input/output terminals on main unit	9
4.5 Indicators on main unit	11
4.6 Functions displayed in the on screen menu.....	12
4.7 Functions related to power operation.....	14
4.8 Functions related to aspect ratio of the projected image	14

Guideline for Data Projector Indications

Introduction

The purpose of this guideline is to unify functions and indications used by data projectors of respective companies so that users are able to operate and use them easily. The guideline rules indications in on-screen menu, operating instructions, and handling procedures described in user's manual as well as indicators on the main unit. In addition, the guideline is designed only to specify the indications used in common among most of data projectors, not aiming at unification of all the possible indications.

Although this guideline is not designed to provide standards for data projectors, every member company of JBMIA shall make every effort to make the indications compliant with the guideline. Also, the JBMIA shall promote the guideline so that Non-member manufacturers comply with them.

Data projectors in the guideline shall mean front projection type projectors with computer inputs and capable of enlarging images, used for general conferences and educational sites.

1 Scope

This guideline is designed to covers English and Japanese terminologies regarding data projectors. The indications in any other language shall be based on the translation from English or Japanese version. The guideline rules the following scopes.

- Parts and accessories in user's manual
- Operating buttons on main unit and remote control
- Signal input/output terminals on main unit
- Indicators on main unit
- Functions displayed in the On Screen menu
- Functions related to power operation
- Functions related to aspect ratio of the projected image

2 Trademarks

The terms HDMI and HDMI High-Definition Multimedia Interface, and the HDMI Logo are trademarks or registered trademarks of HDMI Licensing LLC in the United States and other countries.

DisplayPort, DisplayPort Compliance Logo, VESA, and VESA logo are trademarks owned by the Video Electronics Standards Association in the United States and other countries.

3 Indications

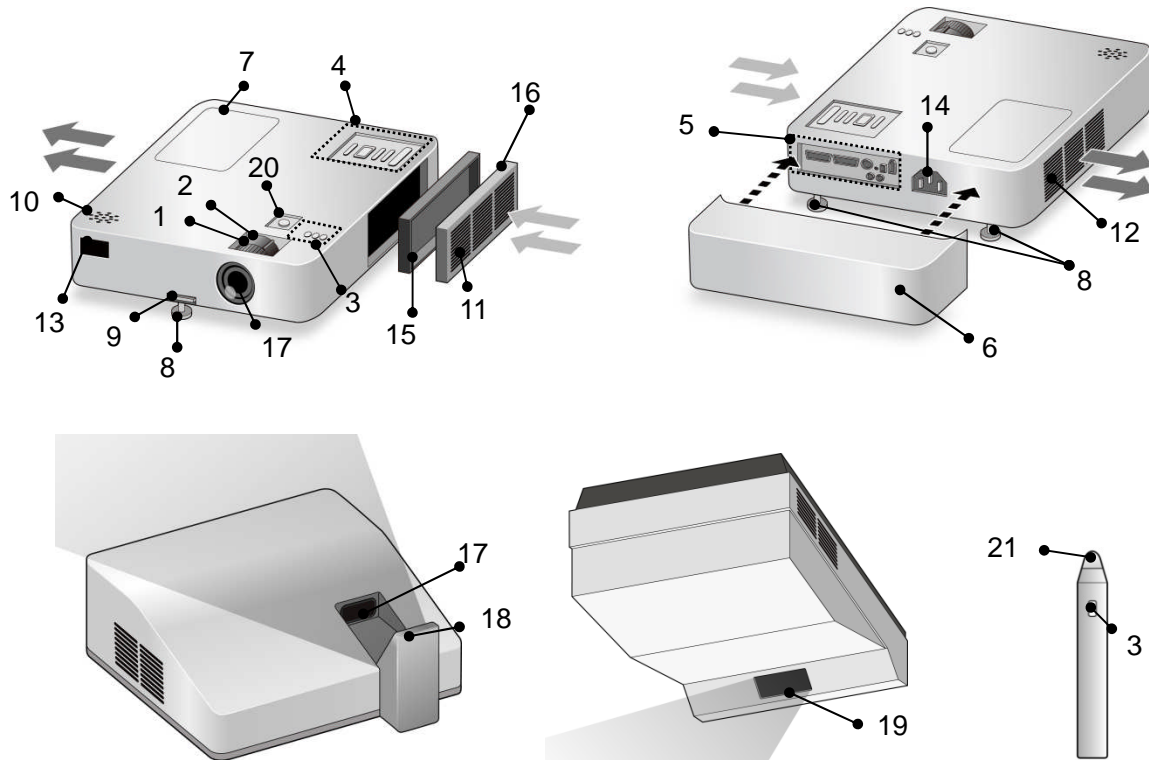
This guideline provides basic indications, but following indications are permitted at the discretion of each manufacturer.

3.1 Ruled indications

Regarding the indications set forth in the guideline, not adopting such functions and parts, such a manufacture is permitted not to use them at the discretion of the manufacture.

4 Indication Method

4.1 Parts of the main unit and accessories in user's manual



	Part description	Eng /Jpn	Recommended indications	Other indication examples
1	Operation part for image focus adjustment	Eng	FOCUS RING FOCUS LEVER	FOCUS
		Jpn	フォーカスリング フォーカスレバー	フォーカス
2	Operation part to enlarge or contract a whole image	Eng	ZOOM RING ZOOM LEVER	ZOOM
		Jpn	ズームリング ズームレバー	ズーム
3	Indicator to show the status of the main unit or accessories	Eng	INDICATOR	POWER INDICATOR INDICATOR PANEL
		Jpn	インジケータ	電源インジケータ インジケータ部
4	Generic name of the button area to operate the main unit	Eng	CONTROL PANEL	CONTROLS
		Jpn	操作部 操作パネル	

	Part description	Eng /Jpn	Recommended indications	Other indication examples
5	Generic name of the INPUT/OUTPUT terminal port	Eng	PORTS TERMINALS INPUT / OUTPUT	INPUT / OUTPUT TERMINALS I/O PANEL
		Jpn	接続端子部 入出力端子パネル	Indication including 端子 and clearly imply the generic name.
6	Part to cover INPUT/OUTPUT terminal ports and cables	Eng	CABLE COVER TERMINAL COVER	
		Jpn	ケーブルカバー 端子カバー	
7	Part to cover the lamp unit	Eng	LAMP COVER LAMP UNIT COVER	LAMP DOOR
		Jpn	ランプカバー ランプユニットカバー	
8	Part to adjust the tilt and height of the main unit	Eng	FOOT ADJUSTABLE FOOT	ELEVATOR FOOT
		Jpn	脚 調整脚	
9	Button or lever to adjust the tilt and height of the main unit	Eng	FOOT LEVER ELEVATOR BUTTON	ADJUSTABLE LEVER
		Jpn	調整レバー 角度調整用ボタン	Indication including 脚 and 構造名称
10	Built-in speaker	Eng	SPEAKER	
		Jpn	スピーカ	
11	Intake port of ambient air for cooling	Eng	INTAKE VENT	VENTILATION (INLET)
		Jpn	吸気口 吸気孔	
12	Exhaust port in the main unit	Eng	EXHAUST VENT	VENTILATION (OUTLET)
		Jpn	排気口 排気孔	
13	Sensor/Receiver of the remote control ²⁾	Eng	REMOTE CONTROL SENSOR REMOTE CONTROL RECEIVER	IR SENSOR IR RECEIVER
		Jpn	リモコン受光部 リモコン受信部	赤外線受光部 赤外線受信部

	Part description	Eng /Jpn	Recommended indications	Other indication examples
14	Power socket of the main unit	Eng	AC IN TERMINAL POWER SOCKET	Indication including AC or POWER
		Jpn	AC IN 端子 電源端子	Indication including AC or 電源
15	Filter to prevent dust inflow into the main unit	Eng	FILTER	AIR FILTER DUST FILTER
		Jpn	フィルタ	エアフィルタ ダストフィルタ
16	Part to cover the filter	Eng	FILTER COVER	
		Jpn	フィルタカバー	
17	Lens for projection	Eng	LENS PROJECTION LENS	
		Jpn	レンズ 投写レンズ	
18	Mirror for reflecting the projection light	Eng	MIRROR	
		Jpn	ミラー	
19	Output area of the reflected projection light in the main unit	Eng	PROJECTION WINDOW	
		Jpn	投写窓 投映窓	
20	Operation part to adjust lens position	Eng	LENS SHIFT LEVER LENS SHIFT DIAL	LENS SHIFT
		Jpn	レンズシフトレバー レンズシフトダイヤル	レンズシフト
21	Pen tip to control interactive operations	Eng	TIP NIB	
		Jpn	ペン先	

Note ²⁾ Indications used at the transmission/emission portion of the remote control shall include “TRANSMITTER” or “EMITTER”.

4.2 Accessories in user's manual

Part description	Eng /Jpn	Recommended indications	Other indication examples
Power cord	Eng	POWER CORD POWER CABLE	
	Jpn	電源コード 電源ケーブル	
Computer cable	Eng	COMPUTER CABLE	COMPUTER CABLE (D-sub15)
	Jpn	コンピュータケーブル	コンピュータケーブル(D-sub15)
DVI-D cable	Eng	DVI-D CABLE	
	Jpn	DVI-D ケーブル	
DVI-I cable	Eng	DVI-I CABLE	
	Jpn	DVI-I ケーブル	
HDMI cable	Eng	HDMI CABLE	
	Jpn	HDMI ケーブル	
USB Cable	Eng	USB CABLE	
	Jpn	USB ケーブル	
Lens protector	Eng	LENS CAP LENS COVER	
	Jpn	レンズキャップ レンズカバー	
Remote control	Eng	REMOTE CONTROL REMOTE	IR REMOTE
	Jpn	リモコン	赤外線リモコン
Pen to control interactive operations	Eng	PEN	INTERACTIVE PEN
	Jpn	ペン	インタラクティブペン

4.3 Operation buttons on the main unit and remote control

Part description	Eng /Jpn	Recommended indications	Other indication examples
Main power	Eng	MAIN ON OFF	
	Jpn	主電源 電源スイッチ 入 切	
Power	Eng	POWER STANDBY ON OFF	
	Jpn	電源 待機,スタンバイ 入 切	
Input switching	Eng	INPUT SOURCE	
	Jpn	入力	入力切替
Focus	Eng	FOCUS	
	Jpn	フォーカス	
Zoom ³⁾	Eng	ZOOM	
	Jpn	ズーム	
Lens Shift	Eng	LENS SHIFT	
	Jpn	レンズシフト	
Menu	Eng	MENU	
	Jpn	メニュー	
Keystone correction	Eng	KEystone	V-KEYSTONE CORRECTION
	Jpn	キーストーン 台形	台形補正

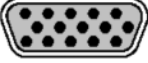






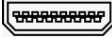

Part description	Eng /Jpn	Recommended indications	Other indication examples
Non-display of image	Eng	BLANK	
	Jpn	ブランク 映像消去	
Mute	Eng	MUTE MUTING	
	Jpn	ミュート 消音	
Non-display of image and Mute ⁴⁾	Eng	AV MUTE AV MUTING BLANK	
	Jpn	AV ミュート ブランク	
Changing aspect ratio	Eng	ASPECT RESIZE	
	Jpn	アスペクト リサイズ	
Partial enlargement ⁵⁾	Eng	MAGNIFY ZOOM	D-ZOOM
	Jpn	拡大 ズーム	部分拡大 D ズーム
Next page Previous page	Eng	PAGE	PAGE UP / DOWN PAGE + / -
	Jpn	ページ	ページ 送り／戻し ページ +／－
Pause	Eng	FREEZE	
	Jpn	フリーズ 静止	
Volume	Eng	VOLUME	VOL + / -
	Jpn	音量	音量 +／－








Note ³⁾ “Zoom” means any function to enlarge or contract a whole image.

Note ⁴⁾ “BLANK” or “ブランク” is permitted as the “Mute” function is secondary.

Note ⁵⁾ “Partial enlargement” shall mean any function to enlarge/contract only a part of an image.
Terms to differentiate it from the “Zoom” function shall be added.

4.4 Signal input/output terminals on main unit

Part description	Signal	Eng /Jpn	Recommended indications	Other indication examples
Mini D-sub 15 pin 	Computer input signal	Eng	COMPUTER COMPUTER IN	
		Jpn	コンピュータ コンピュータ入力	
Mini D-sub 15 pin 	Computer output signal	Eng	MONITOR OUT	
		Jpn	モニタ出力	
DVI-D 	DVI (Digital)	Eng	DVI-D	
		Jpn	DVI-D	
DVI-I 	DVI (Analog/Digital)	Eng	DVI-I	
		Jpn	DVI-I	
RCA 	Composite video signal	Eng	VIDEO	
		Jpn	ビデオ	コンポジットビデオ
Mini DIN 4 pin 	S VIDEOsignal	Eng	S-VIDEO	
		Jpn	S-ビデオ	
RCA 	Y Pb Pr Y Cb Cr Component video signal	Eng	Y Pb Pr Y Cb Cr	Red-Pr / Green-Y / Blue-Pb
		Jpn	Y Pb Pr Y Cb Cr	赤-Pr / 緑-Y / 青-Pb
HDMI 	HDMI	Eng	(See Notice 1)	
		Jpn		
DisplayPort 	DisplayPort	Eng	(See Notice 2)	
		Jpn		

Part description	Signal	Eng /Jpn	Recommended indications	Other indication examples
Stereo mini jack 	Audio input signal	Eng	AUDIO AUDIO IN	
		Jpn	音声 音声入力	
RCA 	Audio input signal	Eng	AUDIO AUDIO L R AUDIO IN	L-AUDIO IN-R
		Jpn	音声 音声 左 右 音声入力	L-音声入力-R
Stereo mini jack 	Audio output signal	Eng	AUDIO OUT	
		Jpn	音声出力	
RCA 	Audio output signal	Eng	AUDIO OUT AUDIO OUT L R	L-AUDIO OUT-R
		Jpn	音声出力 音声出力 左 右	L-音声出力-R
RJ-45 	Network	Eng	LAN	
		Jpn	LAN	
Mini jack 	Remote control	Eng	REMOTE	
		Jpn	リモート リモコン	
Mini jack 	Audio input signal (Microphone input)	Eng	MIC MICROPHONE	
		Jpn	マイク	

Notice 1: It shall conform to guidelines of HDMI licensing LLC.

Notice 2: It shall conform to guidelines of VESA.

4.5 Indicators on main unit

Following indications of indicators shall be used for status, cautions, warnings, and errors on the main unit.

Part description	Eng /Jpn	Recommended indications	Other indication examples
Power	Eng	POWER ON/STANDBY	
	Jpn	電源	
Light source	Eng	LAMP LIGHT	
	Jpn	ランプ 光源	
Temperature	Eng	TEMP	
	Jpn	温度	
Filter	Eng	FILTER	
	Jpn	フィルタ	
Warning of the main unit	Eng	WARNING	
	Jpn	警告	
Status of the main unit	Eng	STATUS	
	Jpn	状態	

4.6 Functions displayed in the on screen menu

Function	Eng /Jpn	Recommended indications	Other indication examples
Adjustment of image quality	Eng	PICTURE MODE COLOR MODE ⁶⁾	
	Jpn	映像モード 画質モード	
Adjustment of contrast of image	Eng	CONTRAST	
	Jpn	コントラスト	
Adjustment of brightness of image	Eng	BRIGHTNESS	
	Jpn	明るさ	
Adjustment of color saturation of image	Eng	SATURATION COLOR	
	Jpn	色の濃さ	
Adjustment of tint and hue of image	Eng	TINT ⁷⁾ HUE ⁸⁾	
	Jpn	色あい 色相	
Adjustment of sharpness of image	Eng	SHARPNESS	
	Jpn	シャープネス	
Adjustment of gamma characteristic of image	Eng	GAMMA	
	Jpn	ガンマ	
Adjustment of color temperature of image	Eng	COLOR TEMPERATURE	
	Jpn	色温度	
Adjustment of display area of outer part of image	Eng	OVERSCAN	
	Jpn	オーバースキャン	
Adjustment of noise reduction effect of image	Eng	NOISE REDUCTION	NR
	Jpn	ノイズリダクション	
Setting of display position of menu	Eng	MENU POSITION	
	Jpn	メニュー位置	

Function	Eng /Jpn	Recommended indications	Other indication examples
Display of test pattern to adjust image	Eng	TEST PATTERN	
	Jpn	テストパターン	
Setting of the iris system	Eng	IRIS	
	Jpn	アイリス	
Setting of language of menu, etc.	Eng	LANGUAGE	
	Jpn	言語	
Setting behavior at standby state	Eng	STANDBY	
	Jpn	待機	
Initializing of setting of function in menu	Eng	RESET	RESET ALL
	Jpn	初期化	全初期化
Setting of when used at high altitude	Eng	HIGH ALTITUDE	
	Jpn	高地	
Setting of display information of filter	Eng	FILTER MESSAGE	
	Jpn	フィルタ通知	
Setting of lock/unlock of the control lock to operate the main unit	Eng	CONTROL LOCK KEY LOCK	
	Jpn	ボタンロック キーロック	パネルロック

Note⁶⁾ The indication “MODE” shall not be omitted in “COLOR MODE”.

Note⁷⁾ TINT means 色あい.

Note⁸⁾ HUE means 色相.

4.7 Functions related to power operation

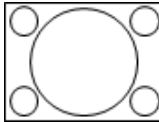
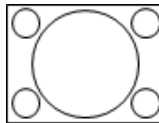
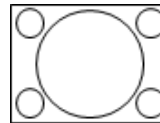
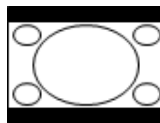
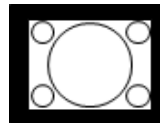
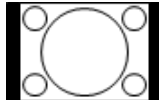
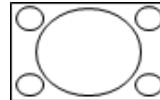
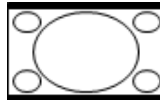


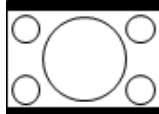



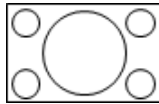



Function	Eng /Jpn	Recommended indications	Other indication examples
Function to turn the power on at the time of power cord connection	Eng	DIRECT ON	DIRECT POWER ON
	Jpn	ダイレクトオン	ダイレクトパワーオン
Function to allow disconnection of the power cord without power-off operation	Eng	DIRECT OFF DIRECT SHUT DOWN	DIRECT POWER OFF
	Jpn	ダイレクトオフ ダイレクトシャットダウン	ダイレクトパワーオフ
Function to allow disconnection of the power cord during the cool-down period	Eng	QUICK OFF QUICK SHUT DOWN	QUICK POWER OFF
	Jpn	クイックオフ クイックシャットダウン	クイックパワーオフ

4.8 Functions related to aspect ratio of the projected image

The projected image described in this clause shall mean a post-processed image if software process such as keystone correction is applied. X and Y which show aspect ratio of projected image shall be described in numbers.

Function	Eng /Jpn	Recommended indications	Other indication examples
Setting to expand image to the full alongside width and/or height while maintaining the aspect ratio of input image	Eng	NORMAL AUTO	
	Jpn	ノーマル オート	標準 自動
Setting to project input image to the whole projected area	Eng	FULL X : Y	4:3 16:10
	Jpn	フル X : Y	4:3 16:10
Setting to project input image to the full alongside width with a wide aspect ratio (X:Y)	Eng	WIDE X : Y	16:9 16:10
	Jpn	ワイド X : Y	16:9 16:10
Setting to project input image maintaining its native resolution	Eng	NATIVE TRUE	
	Jpn	リアル	

4.8.1 Example of setting an aspect ratio of projected image

INPUT SIGNAL	PRODUCT	NORMAL	FULL	WIDE 16 : 9	NATIVE
 800 x 600	1024 x 768				
	1280 x 800				
 1280 x 800	1024 x 768				
	1280 x 800				

Guideline for Data Projector Indications

Editor and Publisher

Projector Terminology Working Group, Data Projector Group

Publishing Office

Japan Business Machine and Information System Industries Association

LILA HIJIRIZAKA 7F, 3-4-10 Mita Minato-ku Tokyo 108-0073 JAPAN

Tel: +81-3-6809-5010 (Main phone number)